

Audiovisual systems
on your swimming pool

Do you organize a **swimming competition**?


✓ present sports events live on the screen



✓ zoom or replay interesting action and show it



✓ show sport information for the audience - statistics, time and results

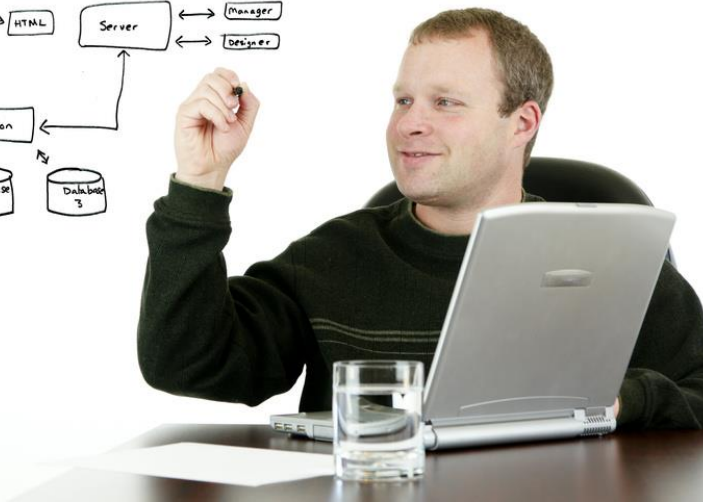
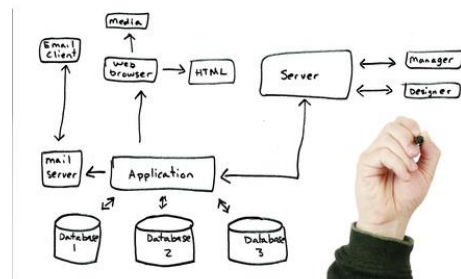
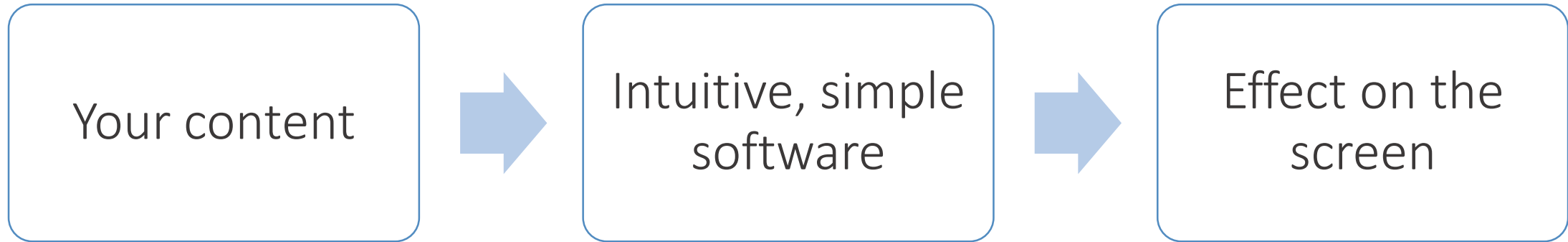


✓ display advertisement, sponsor logos or animations



✓ communicate with customers, show the temperature of water and other important information's

How it **works?**




Zimowe Mistrzostwa Polski Juniorów młodszych 14 lat			
Klasyfikacja 4x100m dowolny Kobiety			
1	Wodnik Radom 1	4:06.96	599
2	KORNER Zielona Góra 1	4:10.58	573
3	MKP Szczecin 1	4:11.06	570
4	MKS Jordan Kraków 1	4:14.57	547
5	MKP Słowianka Gorzów Wlk	4:16.47	535
6	UKP Unia Oświęcim 1	4:18.46	522
7	MUKS Piłtnastka Bydgoszcz	4:18.74	521
8	MKS Jordan Kraków 2	4:21.82	502
9	MKS Ikar Mielec 1	4:22.64	498
10	MKS ZRYW Opole 1	4:22.91	496



Why **Dysten**?

How we **do it**?

Analysis of the architectural project **01**

Offer and plan of installation **02**

Installation in your object **03**

Software implementation **04**

Training staff **05**

Why Dysten **technology**?

In the equipment offered we use monitoring system and operation control system with the following features:

- automatic control of screen brightness depending on the outdoor ambient
- the ability to define the characteristics of show - working for different levels of screen brightness (contrast, saturation)
- direct service access to maintain interface using the buttons on the controllers screen
- accepted by the device parameters supply 100 - 250V AC 50-60Hz,
- remote, program change the brightness and the characteristics of the correction using software

All of those features makes DYSTEN devices very reliable and long-live working.

Why Dysten **technology**?

- DYSTEN LED screens are designed to work in all weather conditions
- They provide the highest quality image and display full uncompressed video DVI / SDI (do not use conversion and signal compression).
- Integrated LED drivers with thermal and current protection are very carefully chosen to achieve long years of using.
- We very strictly select LED diodes and structures in the production of LED screens.

Why Dysten software?

OTiming program is designed to present the results for swimming competitions. The program has been developed since 2008, when it was **first** used to present the results of the live broadcast of the Polish Television TVP SPORT Polish Seniors Championship and of teenagers.

In 2013, the program introduces a number of new features associated with the official presentation of the results generated during the swimming competitions by the service of the SPLASH Met Manager.



- Visualization of live performance and the results gained new, attractive appearance
- The program has Polish and English versions
- The program displays the names of the players and flags of the countries they come from. Flags comply with the IOC codes (International Olympic Committee)
- To present the results the program was introduced for TV which is ideal for application to images from cameras
- There is also an info bar which irrespective of the mode of operation of the program can display any information or official classifications for completed competition
- The program largely operates automatically - unattended.
- Functions initiated by the operation of the program are shown in a clear and intuitive interface.

Why Dysten **software**?

Our software is integrated with Swiss Timing Aquatics timing system (Quantum and ARES).

The program allows, in automatic mode, visualization of the start list and the results of the current series of swimming competitions.

Available features of the automatic mode;

- Displaying the response time startup
- Display time and split time, record
- The lap time of disappearance
- The ability to display the information banner of any text or the official classification
- Establishing transparency of the window relative to the desktop
- Two color versions of low and high contrast
- Time display of time / elimination
- Display the flag / club code / full name of the club



European Masters Championships										
200m freestyle Men heat 32 of 43										
1	4	HANSTEIN Michael	AsV Wuppertal	GER	2:12.08	32.76				
2	0	SABA Enrico	Gsn Montalcone	ITA	2:12.26	32.63				
3	6	HÜNERBEIN Sebastian	StF Sieglar 60	GER	2:13.07	33.63				
4	2	TANZ Frank	Juellercher Wassersportverein	GER	2:13.66	34.37				
5	8	PARIS Francesco	Rari Nantes Aquatica Nuoro	ITA	2:14.18	34.19				
6	5	PANTALEI Andrea	Nantes Ostiensis	ITA	2:15.16	37.73				
7	7	BETTI Marco	Nuoto Livorno	ITA	2:16.10	36.10				
8	1	SUDRIE Sebastien	Angouleme Natation	FRA	2:16.90	36.78				
9	3	MELLI Davide	Tuatha De	ITA	2:17.18	38.16				
10	9	BRAUN Zdenek	Banik Sokolov	CZE	2:20.53	38.54				
ER 200m		1:53.86		+18.22		megatiming.pl		200m		

Results list 200m fly Men 1. MARCATO Andrea 2:09.71 2. LEROY Loic 2:10.71 3. BENASSI M

Why Dysten **software**?

The program supports the following types of competition;

- Streaks on time
- Slower series on time
- Fastest time series
- Qualification
- Repechage
- Semifinals
- Finals

The program supports the following styles;

- Swimming (Freestyle, classic, backstroke, butterfly and variable)
- Rescue
- Swimming with fins (PP, PW, BF, etc.)

The scheme applies to 6,8 and 10 track swimming pools

- 25m - measurement at 25m
- 25m - measurement at 50m
- 50m - measurement at 50m
- 50m - measurement at 100 m



40th European Junior Championships, Poland, Poznań					
Results list 1500m freestyle Women					
1	PEREZ BLANCO Jimena	ESP	16:30.63	861	
2	SIBALIN Flora	HUN	16:36.80	845	
3	TETTAMANZI Alisia	ITA	16:41.49	833	
4	NATLACEN Gaja	SLO	16:44.23	826	
5	DEARING Alice	GBR	16:45.36	824	
6	MATTENS Edith	BEL	16:54.68	801	
7	CAPONI Linda	ITA	16:55.11	800	
8	MASSONE Antonia	GER	17:02.35	783	
9	VOLKODAVOVA Polina	RUS	17:06.79	773	
10	FARKAS Adel	HUN	17:13.88	757	



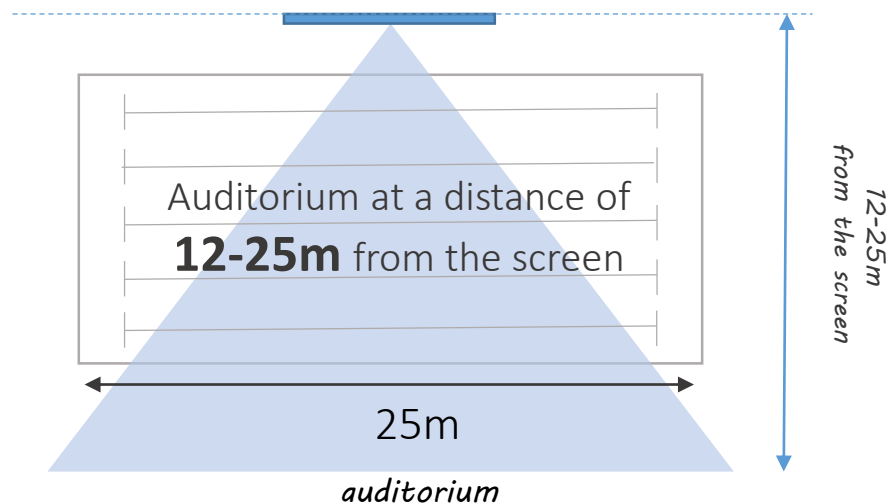
Medal Ceremony - 100m fly Women		
1	TARZIA Claudia Italy 59.68	ITA
2	SVECENA Lucie Czech Republic 59.69	CZE
3	WATTEL Marie France 59.88	FRA

Screen for you

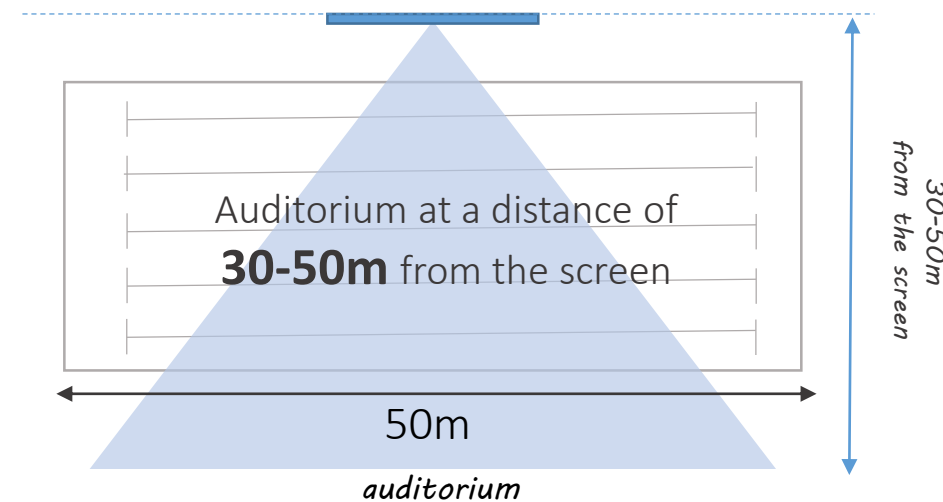


Example solutions

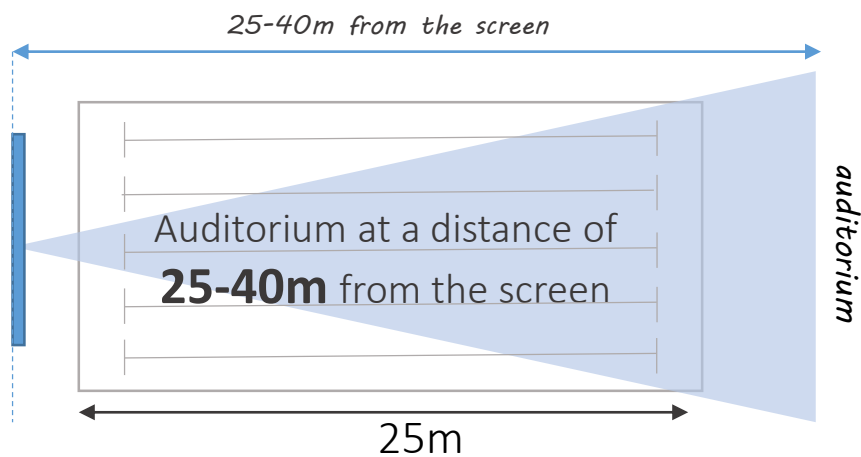
1



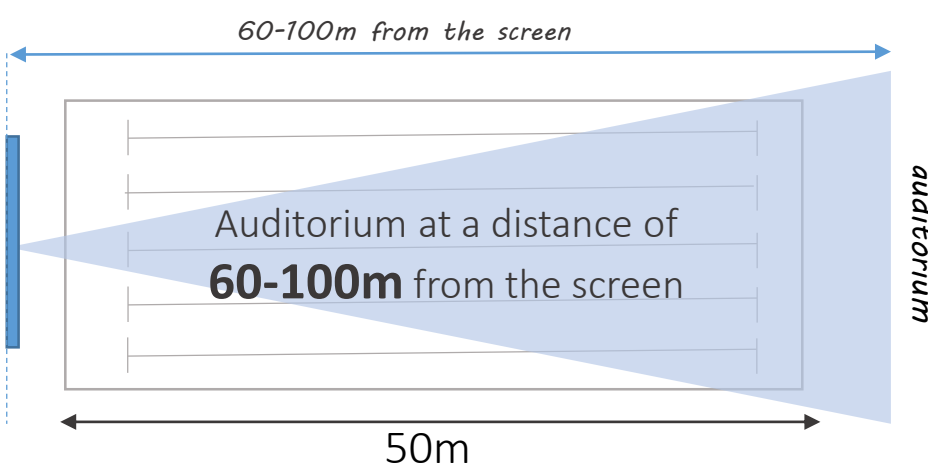
3

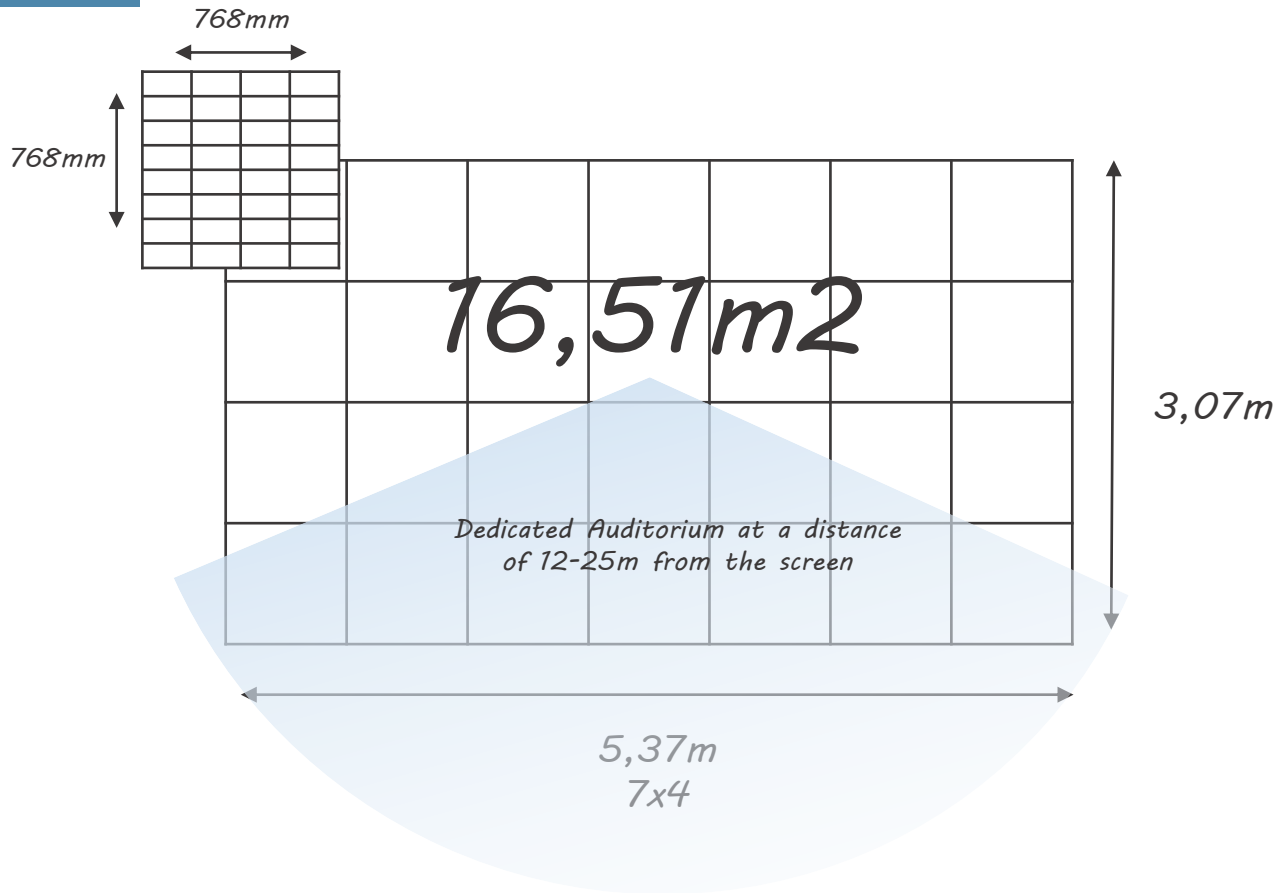


2



4



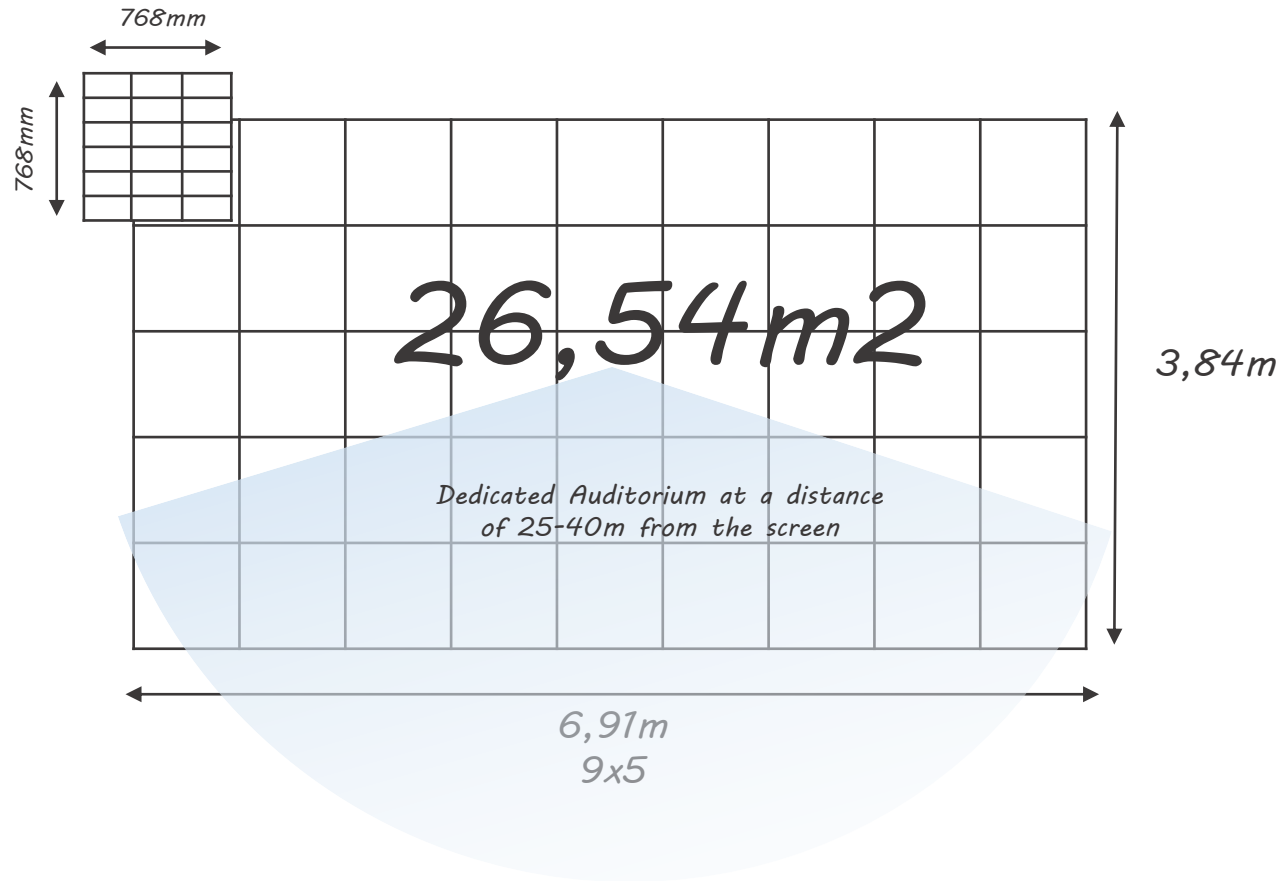


Display type
IFC6 ST-S P6

DESCRIPTION OF THE SCREEN FOR POOL 25 METERS

LED display 5376 x 3072 mm, 16,51 m²,
resolution 896x512, aspect ratio 16:9

ELEMENT	PARAMETR	VALUE
LED	Type	SMD – high luminosity
Power supply and control system	Control system	DYSTEN
	Control hardware	DYSTEN
	Power supply	Mean Well
	Voltage	400 [V]
LED panel	Pitch	6 [mm]
	Pixel configuration	1RGB (3 in 1)
	Panel physical resolution	32 x 16 [pixels]
	Panel size	192 x 96 [mm]
	Luminosity	1200 [cd/m ²]
	Visual degree	Horizontal 120[°],vertical 120[°]
	Number of Colours	16,78 mln
	Coloro procesing	16-bit
	Refresh frequency	600 [Hz]
	Input signal	DVI
	Max power consumption	500 [W/m ²]
	Average power consumption	175 [W/m ²]
	Weight	35 [kg/m ²]
	Ingress protection	IP65 (front), IP54 (back)
	Working temperature	-20[°C] ÷ 60[°C]
	Humidity	to 95%
LED time duration	> 100 000 [h]	
Software	Screen player by DYSTEN (Windows)	

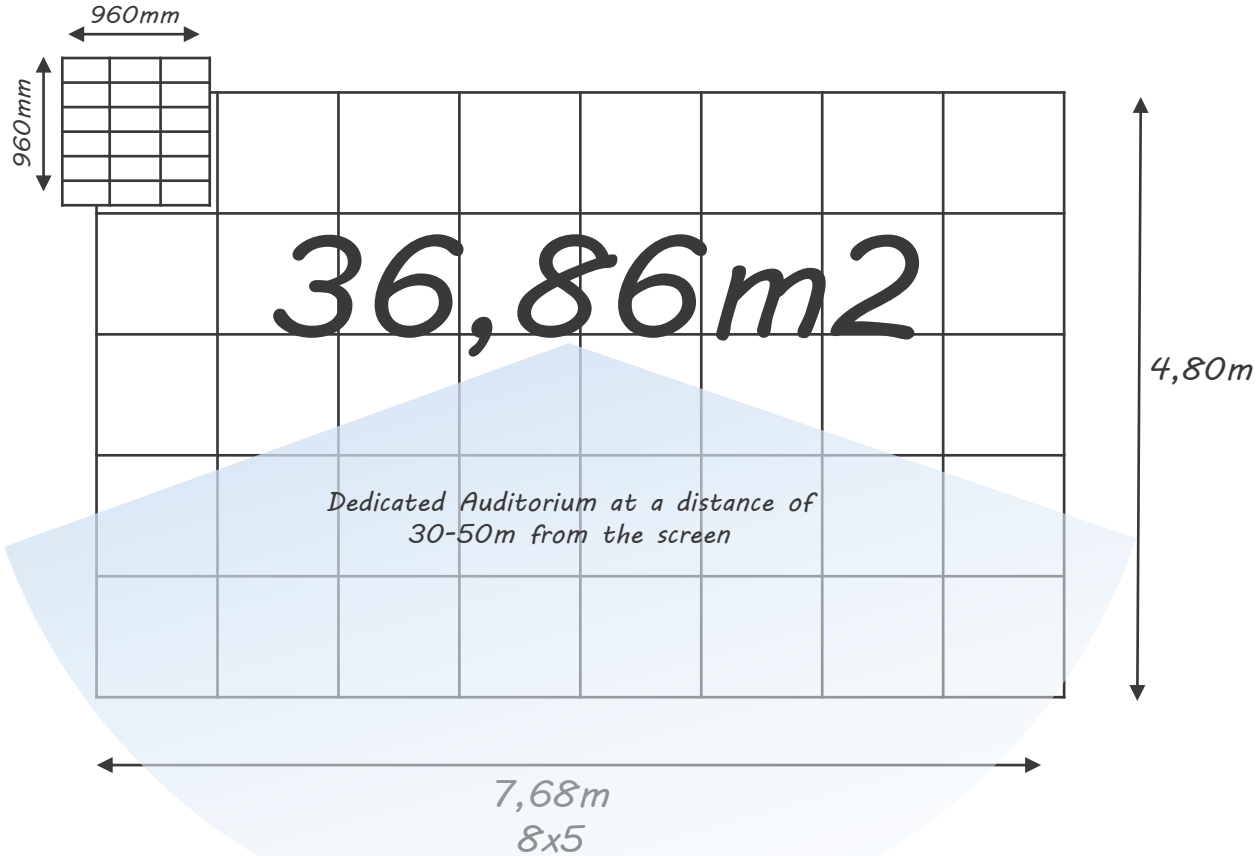


Display type
IFC8 ST-S P8

DESCRIPTION OF THE SCREEN FOR POOL 50 METERS

LED display 6912 x 3840 mm, 26,54 m²
resolution 864x480, aspect ratio 16:9

ELEMENT	PARAMETR	VALUE	
LED	Type	SMD – high luminosity	
	Power supply and control system	Control system	DYSTEN
		Control hardware	DYSTEN
		Power supply	Mean Well
Voltage		400 [V]	
LED panel	Pitch	8 [mm]	
	Pixel configuration	1RGB (3 in 1)	
	Panel physical resolution	32 x 16 [pixels]	
	Panel size	256 x 128 [mm]	
	Luminosity	1200 [cd/m ²]	
	Visual degree	Horizontal 120[°],vertical 120[°]	
	Number of colors	16,78 mln	
	Color procesing	16-bit	
	Refresh frequency	600 [Hz]	
	Input signal	DVI	
	Max power consumption	500 [W/m ²]	
	Average power consumption	175 [W/m ²]	
	Weight	35 [kg/m ²]	
	Ingress protection	IP65 (front), IP54 (back)	
	Working temperature	-20[°C] ÷ 60[°C]	
	Humidity	to 95%	
LED time duration	> 100 000 [h]		
Software	Screen player by DYSTEN (Windows)		

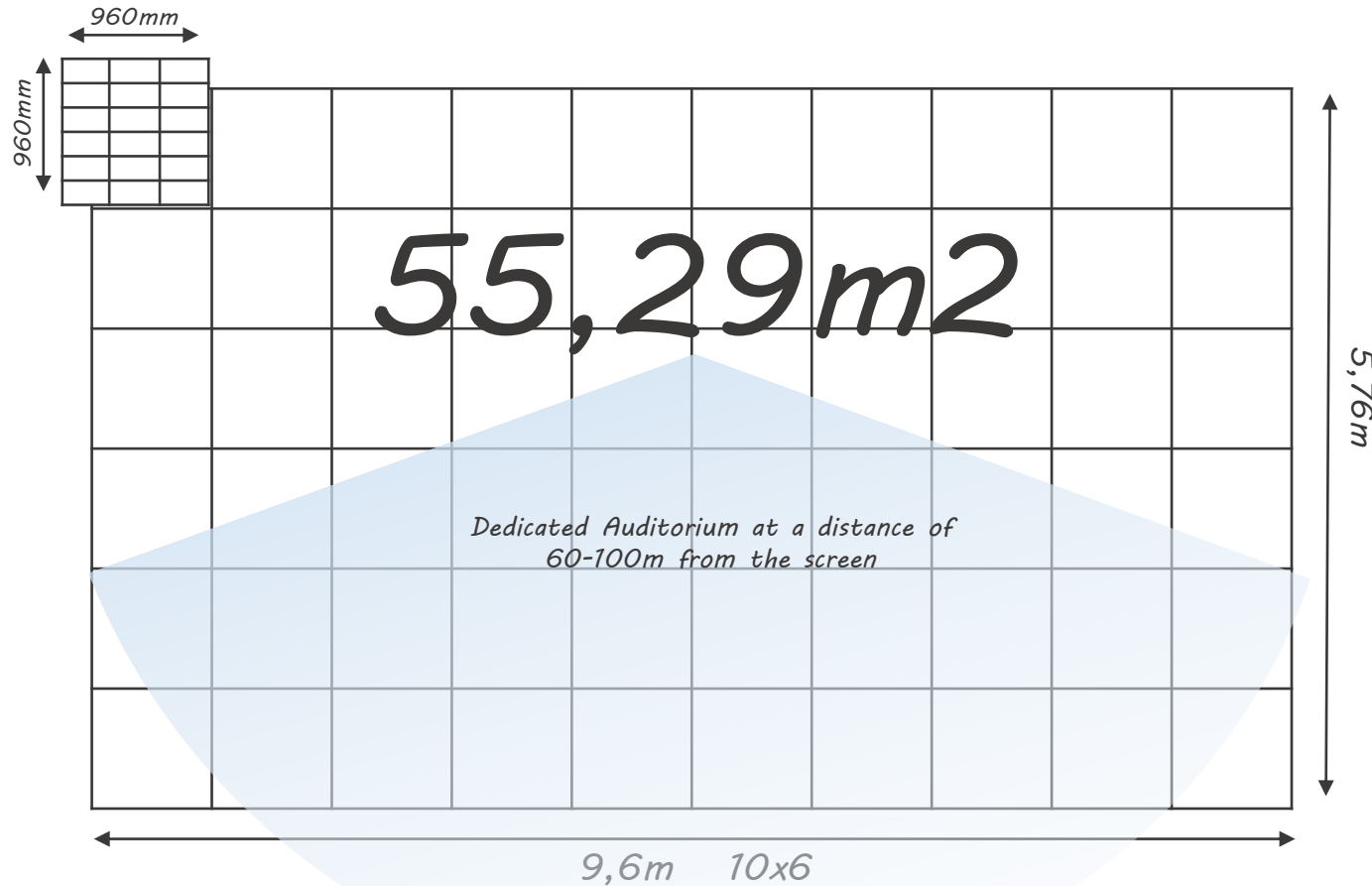


Display type
IFC10 ST-S
P10

DESCRIPTION OF THE SCREEN FOR POOL 50 METERS

LED display 7680 x 4800 mm, 36,86 m²,
resolution 768x480, aspect ratio 16:10

ELEMENT	PARAMETR	VALUE	
LED	Type	SMD – high luminosity	
	Power supply and control system	Control system	DYSTEN
		Control hardware	DYSTEN
		Power supply	Mean Well
	Voltage	400 [V]	
LED panel	Pitch	10 [mm]	
	Pixel configuration	1RGB (3 in 1)	
	Panel physical resolution	32 x 16 [pixels]	
	Panel size	320 x 160 [mm]	
	Luminosity	1200 [cd/m ²]	
	Visual degree	Horizontal 120[°],vertical 120[°]	
	Noumber of colors	16,7 mln	
	Color procesing	16-bit	
	Refresh frequency	600 [Hz]	
	Input signal	DVI	
	Max power consumption	500 [W/m ²]	
	Average power consumption	175 [W/m ²]	
	Weight	35 [kg/m ²]	
	Ingress protection	IP65 (front), IP54 (back)	
	Working temperature	-20[°C] ÷ 60[°C]	
	Humidity	to 95%	
LED time duration	100 000 [h]		
Software	Screen player by DYSTEN (Windows)		



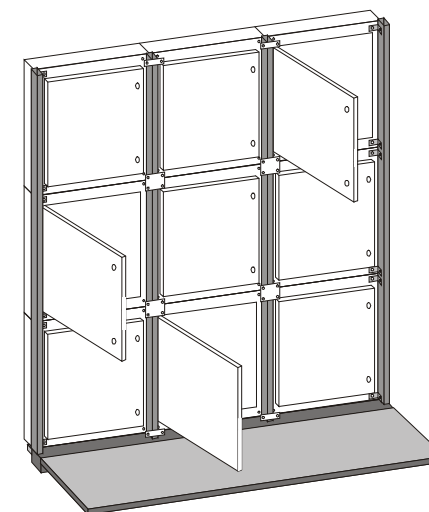
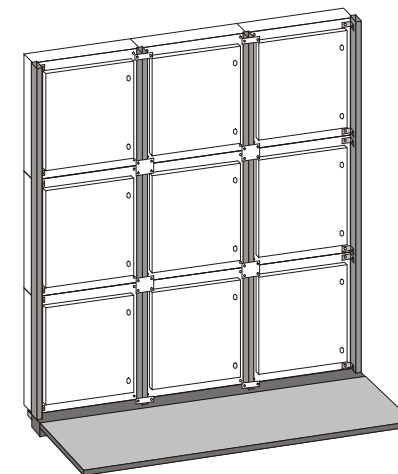
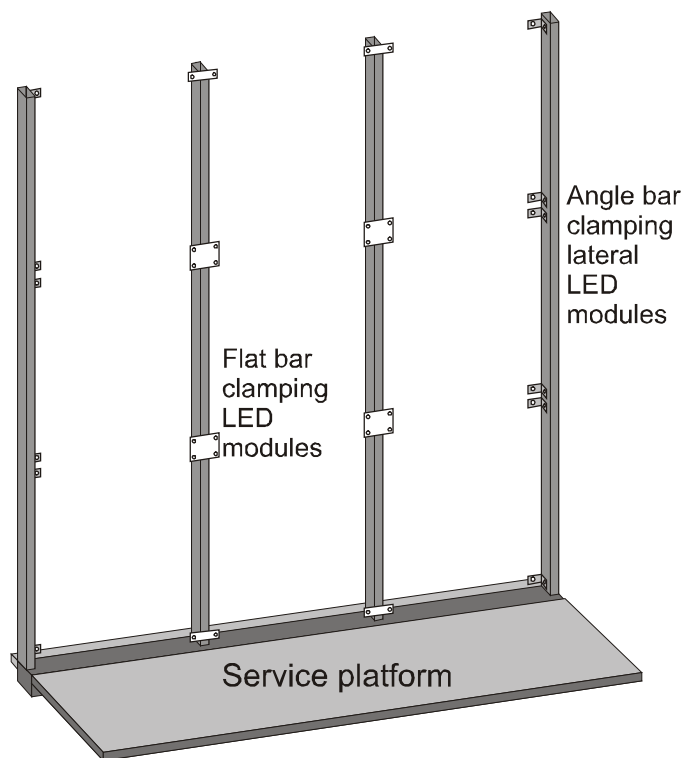
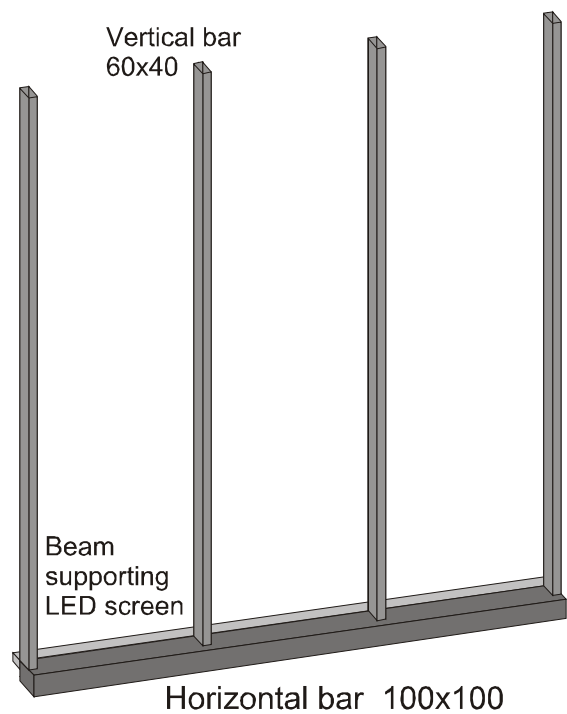
Display type
IFC10 ST-S
P10

DESCRIPTION OF THE SCREEN FOR POOL 50 METERS

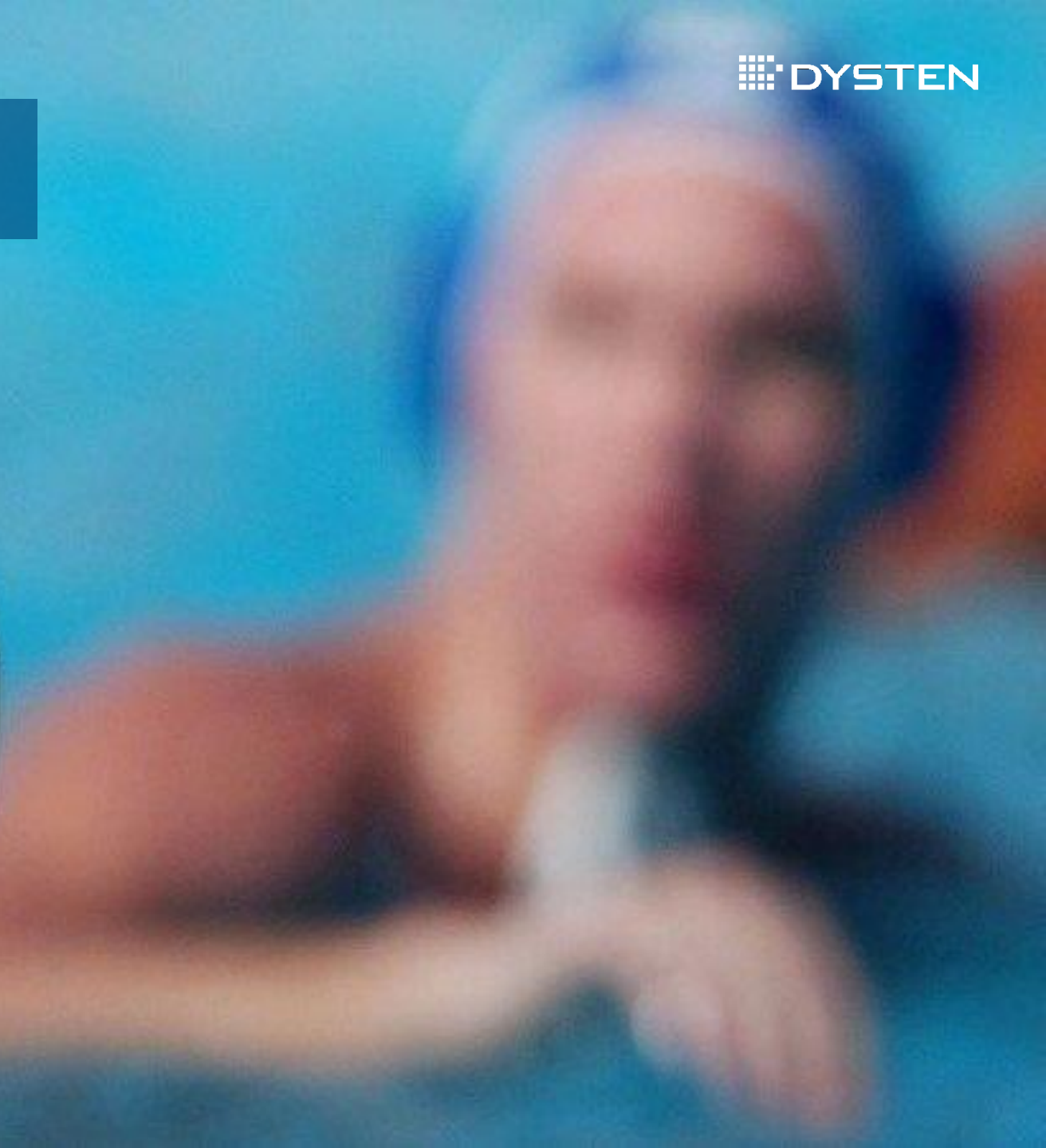
LED display 10240x5760 mm, 58,98 m²,
resolution 1024x576, aspect ratio 16:9

ELEMENT	PARAMETR	VALUE
LED	Type	SMD – high luminosity
Power supply and control system	Control system	DYSTEN
	Control hardware	DYSTEN
	Power supply	Mean Well
	Voltage	400 [V]
LED panel	Pitch	10 [mm]
	Pixel configuration	1RGB (3 in 1)
	Panel physical resolution	32 x 16 [pixels]
	Panel size	320 x 160 [mm]
	Luminosity	1200 [cd/m ²]
	Visual degree	Horizontal 120[°],vertical 120[°]
	Number of colors	16,7 mln
	Color procesing	16-bit
	Refresh frequency	600 [Hz]
	Input signal	DVI
	Max power consumption	500 [W/m ²]
	Average power consumption	175 [W/m ²]
	Weight	35 [kg/m ²]
	Ingress protection	IP65 (front), IP54 (back)
	Working temperature	-20[°C] ÷ 60[°C]
	Humidity	to 95%
LED time duration	100 000 [h]	
Software	Screen player by DYSTEN (Windows)	

Installation



Realizations





200m motylkowy Kobiety seria 2 z 4

1	0	PAWELEC Natalia	UKS S Kalisz	1:22.99	
2	1	CHODYNA Monika	AZS UMIA Oleśnica	1:24.02	16.50
3	2	BAKIES Gabriela	UKS "Piastka" Konstantynów Łódzki	1:25.26	15.10
4	3	SZCZEPANIK Joanna	Wodnik Senn	1:26.44	15.08
5	4	SIKORA Paulina	UKP Unia Oświęcim	1:28.16	15.13
6	5	SZWARC Alicja	K.S. Warta Poznań	1:29.67	15.69
7	6	NIENALTOWSKA Natalia	MKS Polonia Warszawa	1:31.55	16.41
8	7	WAKUŁA Karolina	AZS-AWF Katowice	1:32.46	16.44
9	8	NOWAK Sonia	AZS-AWF Katowice	1:33.77	16.97
10	9	RYBIŃSKA Olga	MKS Piaseczno	1:34.82	16.78

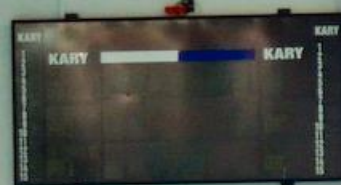
megatiming



SWIMMINGPOOL OLSZTYN | SPORT & ENTERTAINMENT SYSTEM



Gorzów Wlkp.



SWIMMINGPOOL GORZÓW WLKP. | SPORT & ENTERTAINMENT SYSTEM



25.03.15

KONKURENCJA			SERIA			0:126		
1			1					
TOR	MIEJSCE	CZAS	TOR	MIEJSCE	CZAS			
1	6	1:21.25	4	3	1:03.27			
2	4	1:08.48	5	2	57.18			
3	1	54.72	6	5	1:13.89			

6
5
4
3
2

YOUTH PALACE | SCOREBOARDS

Contact us

DYSTEN Sp. z o.o.

ul. Grunwaldzka 91

41-800 Zabrze

Phone: +48 32 376 12 60

Email: biuro@dysten.pl

www.sport-scoreboards.com